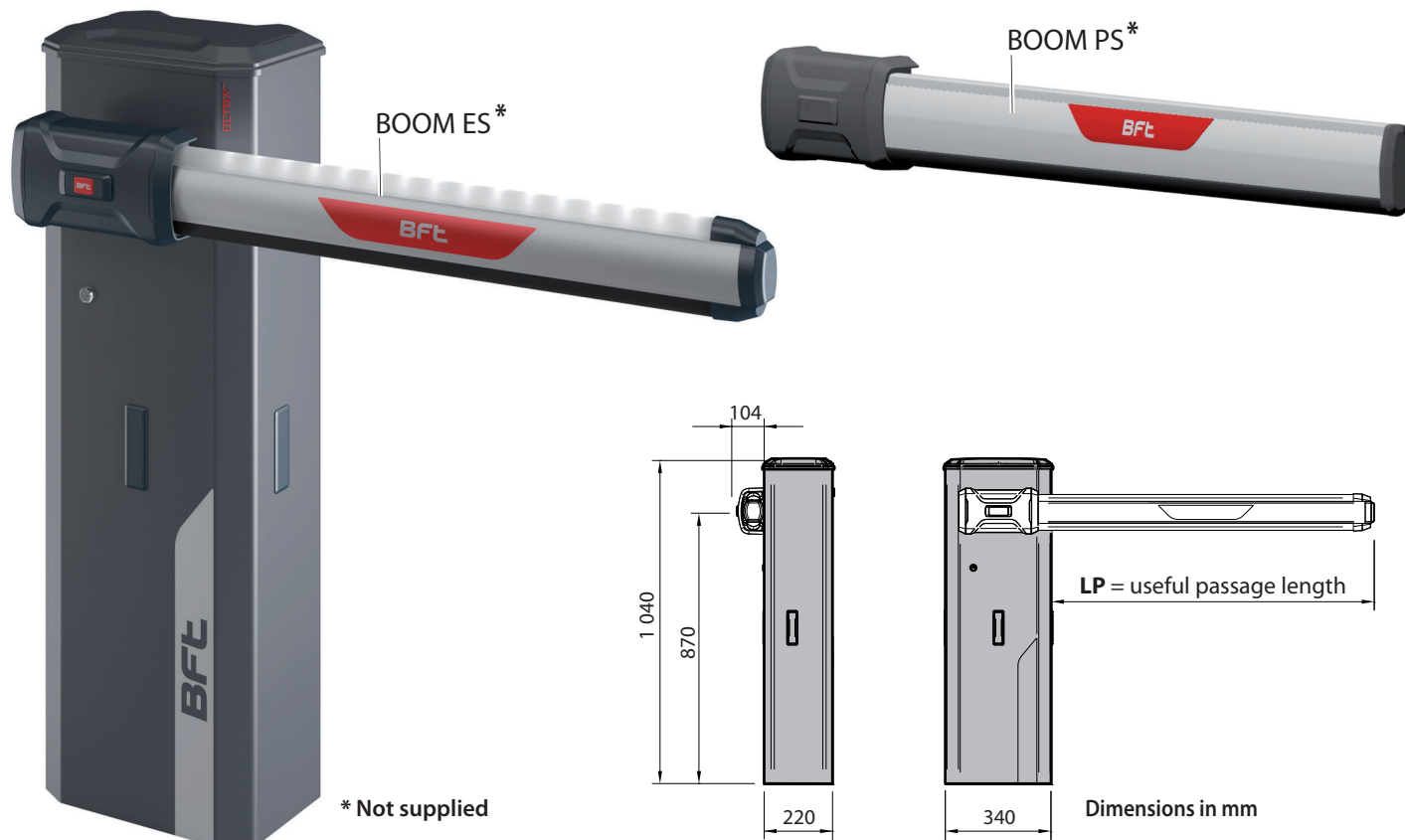


# GIOTTO BT A ULTRA 36

## Electromechanical automatic barrier

24V electromechanical barrier for intensive and very intensive use, for the management of access points 2 to 6m wide, ideal to be installed in large parking facilities, road access points and industrial contexts.



- Self-supporting steel structure treated with cataphoresis and powder-coated (stainless steel optional).
- It allows an rh/lh barrier to be obtained by simply operating the internal spring, without altering the barrier body (the barrier is always pre-arranged to be installed on the left).
- Compatible with the BOOM ES and BOOM PS booms.
- Balancing by a spring included in the barrier.
- Opening time: **2.2 to 4 sec., according to the boom length**
- Useful passage: **2 to 4 m for the standard version**  
**4.5 to 6 m for the XL version**
- Maximum usage cycle: **3-metre bar: 5 000 operations/24h**  
**6-metre bar: 2 000 operations/24h**
- MCBF: **3 000 000 cycles**
- Impact reaction with motion reversal while closing and stop while opening (encoder).
- Booms can be equipped with high-visibility LED lights, when the (optional) GT-BOARD light board is installed.
- A 120 Vac version is available.
- Gear motor lubricated with permanent grease.
- Built-in electrical limit switches, electronically adjustable.
- Control unit housed in the top section of the barrier; it can be easily accessed by removing the cap.
- Access to the barrier through an interior inspection door equipped with a custom key.
- Emergency release for manual operation through a custom key.
- MERAK GIOTTO ULTRA 36 control unit:
  - full management of EELINK and U-LINK protocols;
  - separate inputs for safety devices;
  - configurable control inputs;
  - built-in rolling-code radio receiver with transmitter cloning.
- Ready for the installation of photocells on the sides and under the boom (through a dedicated support).

## TECHNICAL SPECIFICATIONS

Power supply	110-120V~ 50/60Hz 220-230V~ 50/60Hz
Motor voltage	24Vdc
Internal lubrication	Permanent grease
Power absorbed	300 W
Max torque	280-290 Nm
Opening time	2.2 ÷ 4 s.
Useful passage	2.0...6.0 m
Maximum usage cycle	3-metre bar: 5 000 operations/24h 6-metre bar: 2 000 operations/24h
Type of boom (not supplied)	BOOM ES BOOM PS
Limit devices	Electromechanical
Buffer batteries (optional extras)	Two 12V 1.2Ah batteries
Type of material	S185 steel (UNI EN 10025) **
Treatment	Cataphoresis, standard RAL7015 painting, other colours available upon request
Dimensions (WxDxH)	220x340x1040mm
Weight (without boom)	41 kg
Foundation	Concrete, 400x600x500mm
Impact reaction	Through encoder
Manual mechanical release	Customised key
Environmental conditions	from -20°C to +55°C
Barrier degree of protection	IP54
Noise level	<70dBA
Control unit	MERAK GIOTTO ULTRA 36
Loadless consumption	10.5W
Control unit degree of protection	IP54
Accessory power supply	24V~ (max absorption 0.5A)
Indicators (optional)	LED lights on the boom
Sensor input	- Photocell (configurable) - 8K2 safety rib (configurable) - Encoder for obstacle detection - Electromechanical limit switches - Emergency stop
Local and remote management	- Digital control inputs - Radio control (RX onboard, TX optional) - RS485, TCP/IP (optional)
Max. n° of remotes that can be memorized	63

(\*\*) = stainless steel available

## REFERENCE STANDARDS

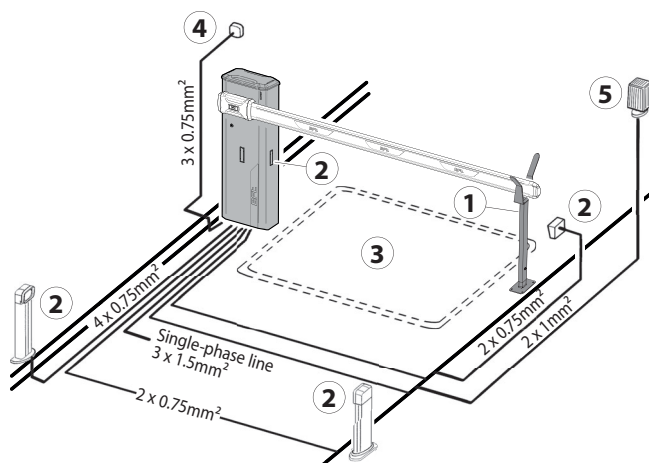
**2014/35/EU ( EN 60335-1:2012 ; EN 60335-1/A11:2014 ; EN 60335-2-103:2015 )** Low Voltage Directive  
**2014/30/EU ( EN 61000-6-3:2007; EN 61000-6-2:2005; EN 6100-6-3/A1:2011 )** Electromagnetic Compatibility  
**2014/53/EU ( ETSI EN 301 489-3 + ETSI EN 301 489-1; ETSI EN 300 220-2 )** Radio equipment  
 (tested with MERAK GIOTTO ULTRA 36 control unit)

## SPECIFICATIONS

Electromechanical automatic barrier, for 2 to 6 m access points. Dimensions 220 x 340 x h.1 040 mm. S185 steel (UNI EN 10025) self-supporting structure, with protective cataphoresis treatment and powder coating; degree of protection IP54. Built-in control unit housed in the top section of the barrier. Operating temperature ranging between -20°C and +55°C. Usage frequency for 3m boom 5 000 operations/24h, for 6m boom 2 000 operations/24h. MCBF: 3 000 000 cycles 24 V motor lubricated with permanent grease. Barrier supply voltage 110V 50/60Hz, or 230V 50/60Hz. Absorbed electric motor power 300 W. Adjustable opening time, ranging between 2.2 and 4 sec. Impact reaction through an encoder. Balancing by a spring included in the barrier. Manual release device with custom key.

## SAMPLE INSTALLATION

For the system composition and installation please refer to the laws in force in the country where the equipment is installed.



## ACCESSORIES

- Protective rubber profiles for ES booms
- High-visibility R/G LED boom lights
- Light board
- Aluminium fence
- Fixed rest fork for booms (1)
- Suspended foot with shock absorber
- Internal reinforcement for PS booms
- Backup battery kit
- Photocells with steerable infra-red beam (2)
- Support for photocell installation
- Metal mass detector
- Magnetic coil for metal mass detection (3)
- Installation template
- Electric lock for PS booms
- Two-channel transmitter
- Key selector (4)
- Open stop control button panel
- Flashing indicator (5)
- Support bracket for flashing indicator

## Bft Spa

Via Largo di Vico, 44 - 36015 Schio (VI) ITALY  
 T +39 0445 69 65 11  
 F +39 0445 69 65 22  
 info@bft.it  
[www.bft-automation.com](http://www.bft-automation.com)



Be ahead