

150
YEARS

BOON EDAM
YOUR ENTRY EXPERTS.



MEDIUM LEVEL SECURITY

SIGNATURE

SIGNATURE SPEEDLANE SERIES.



A **PERFECTLY DESIGNED ENTRANCE** IS NOT A ONE-SIZE-FITS ALL.
WELCOME TO SECURITY ENTRANCES DONE **YOUR WAY.**



CLICKABLE.

Make the most of your experience within this brochure, and hover your mouse over words and pictures to get deeper insights and inspiration. (pdf version only)

OVERVIEW

Designed and manufactured with premium quality materials and market-leading technology, the Signature Speedlane series is a reliable and long-lasting solution for controlling high traffic flow safely and securely. Combining high security with user comfort, the unique series of speed gates utilise advanced tailgating and safety detection sensors to protect against unauthorised access and alleviate pressure on security guards or personnel.

Unlike conventional speed gates, the versatility of the Signature Speedlane series offers an exclusive blend of performance, comfort and aesthetics. The modern and elegant design seamlessly blend with any interior space, offering unobtrusive, secure access to protected areas within your building while ensuring visitors feel safe and welcome - in style.



PRODUCT FEATURES

- ✓ Tailgating and safety detection sensors as standard
- ✓ Intuitive user guidance
- ✓ Flexible lane configurations
- ✓ Multiple integration capabilities
- ✓ Easy installation
- ✓ Small footprint
- ✓ Smooth, swinging glass barriers
- ✓ Made with premium quality materials
- ✓ Fully customisable

KEY BENEFITS

- Relieves pressure from security or reception staff
- Coordinates beautifully with existing building décor and design
- Short cabinet length optimises the use of valuable floor space
- Built to last

SUGGESTED SEGMENTS

- Commercial offices and corporate headquarters
- Universities and higher education
- Finance, banking and government buildings
- Hospitality and leisure
- Healthcare facilities
- Retail

SIGNATURE SPEEDLANE SERIES.

SECURITY YOUR WAY

A series of premium speed gates designed to introduce security into areas where space is limited, but a high level of throughput is paramount.

Sophisticated aesthetics of modern architectural trends have inspired this new series of unique and fashionable security lanes. You can now benefit from the reliable functionality and market-leading technology of our security entrances while still having the flexibility to create a truly unique entrance solution.

TAILORED TO PERFECTION

When you think of security, you do not always think of style, but with the made-to-measure Signature Speedlane series you need not have to compromise on either. Architects, designers and specifiers can fully customise our speed gates - from shape, size and finish, to access control integration, connectivity, accessories and more. Handpick from a variety of design options, including:

- Cabinet length
- Cabinet height
- Cabinet colour
- Top of cabinet material
- Square, round, or tapered cabinet ends
- User indication design
- Glass height up to 1800mm

CHAT ABOUT YOUR NEXT PROJECT.

Our Entry Experts will work with you to find the right solution for your project while helping you achieve a high-end aesthetic without compromising on security or accessibility. To discuss your project requirements, please contact us.

www.boonedam.com/contact



SIGNATURE SPEEDLANE SCULPT.

Add a modern twist to a traditional speed gate with the tapered Signature Speedlane Sculpt. This streamlined cabinet has smooth lines and tailored ends, creating the illusion of more space. The contemporary design combines a decorative strip with an illuminated LED light for easy user guidance.

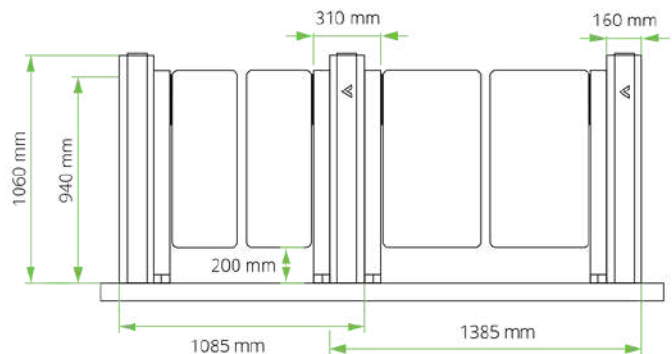
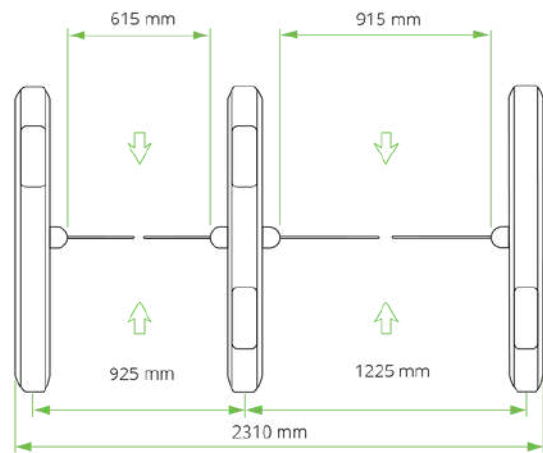
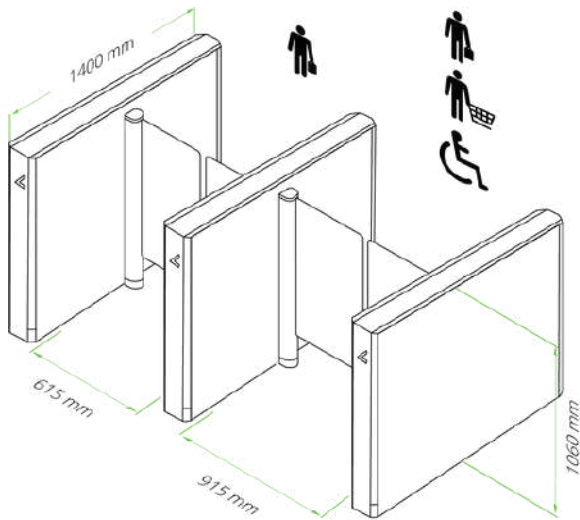
DESIGN FEATURES

- Tapered ended cabinet
- Modern and contemporary design
- Intuitive LED user guidance
- Highly customisable
- Compact design helps optimise valuable floor space
- Easy integration with third-party access control systems
- Easy installation

For more information about the options available, please get in touch with us.



TECHNICAL DIMENSIONS



Signature

SIGNATURE SPEEDLANE CONTOUR.

Smooth rounded ends add a touch of elegance to the design, creating a balance between contemporary and traditional styles. The curves add softness to the classic style to pair effortlessly with any interior. Create your own aesthetic with a choice of unique or personalised cabinet materials and colours.

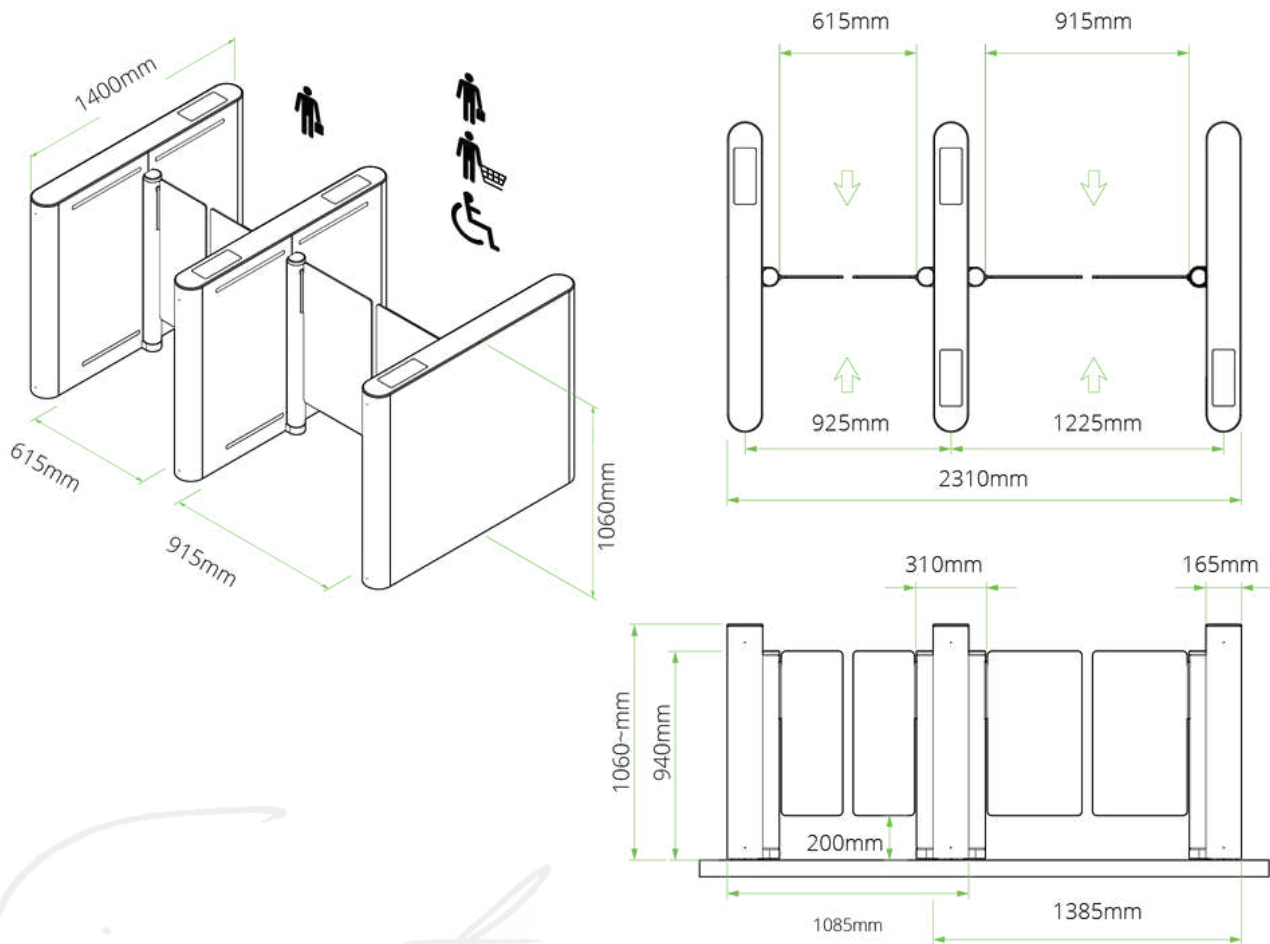
DESIGN FEATURES

- Round ended cabinet
- Modern and contemporary design
- Intuitive LED user guidance
- Available in a variety of materials and colours
- Compact design helps optimise valuable floor space
- Easy integration with third-party access control systems
- Easy installation

For more information about the options available, please get in touch with us.



TECHNICAL DIMENSIONS



Signature

SIGNATURE SPEEDLANE EDGE.

The smooth, sleek finish and clean square edges enhance this classic cabinet shape. The crisp minimalist design adds a contemporary feel to any interior. Choose from a variety of materials and finishes to create your own aesthetic.

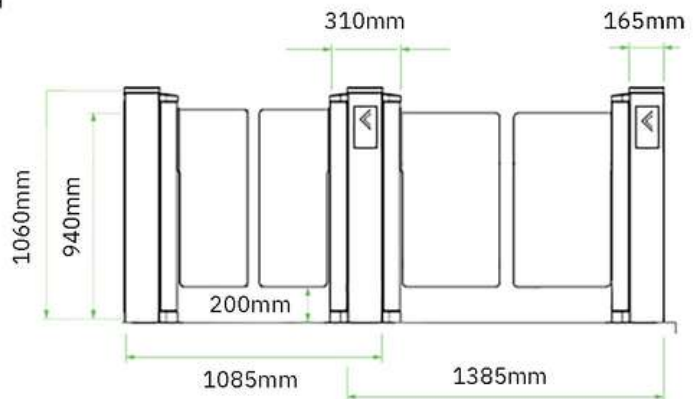
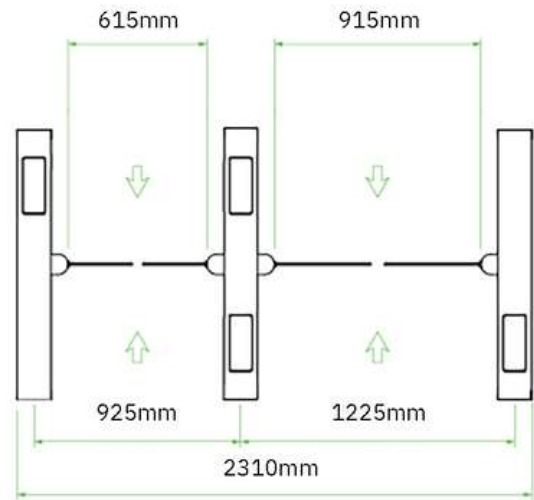
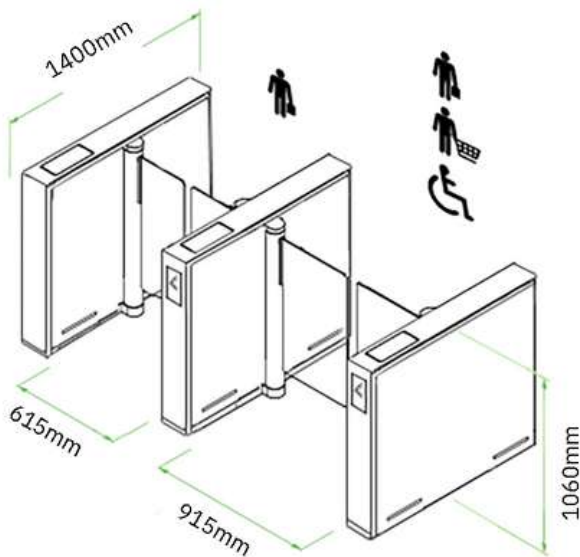
DESIGN FEATURES

- Square ended cabinet
- Modern and contemporary design
- Intuitive LED user guidance
- Available in a variety of materials and colours
- Compact design helps optimise valuable floor space
- Easy integration with third-party access control systems
- Easy installation

For more information about the options available, please get in touch with us.



TECHNICAL DIMENSIONS



Signature



Exchange House, London

Signature Speedlane Sculpt with tapered, black stainless-steel cabinets, and black glass tops and ends.

TECHNICAL SPECIFICATION.

STANDARD SPECIFICATION



DIMENSIONS

Cabinet Height (mm)	1065
Cabinet Length (mm)	1400
Cabinet Width (mm)	165
Glass Wing Height Standard (mm)	940
Glass Wing Height High (mm)	Up to 1800
Passage Width Double Wing (mm)	615
Passage Width Double Wing Wide (mm)	915
Overall Lane Width Standard (mm)	1085
Overall Lane Width Wide (mm)	1385
Throughput	20 - 30 users per minute



AESTHETICS

Cabinet Material	Stainless Steel
Cabinet Colour	Stainless Steel
Lane Wings	10mm thick, clear toughened glass



TECHNOLOGY

Energy Consumption Whilst Operating (W)	60
Power Supply Stationary (W)	50
Sleep Mode (W)	40
Operating Temperature	-15°C to +50°C
Intuition	Low-energy (Sleep mode) Feedback signals LED guidance
Power Supply	110-240 VAC, 50/60 Hz
Number of Inputs	8
Number of Outputs	6



SAFETY

Safety Sensors	Yes
Fire Alarm Connection	Yes
Fail Safe Operation	Yes



SECURITY

Tailgating Detection	Yes
Security Sensors	Yes
Confirmation of Passage Signal	Yes
Alarm Indication	Local audio output (buzzer) and visual feedback

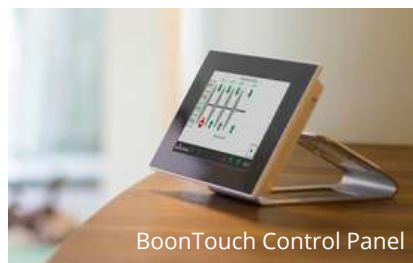
TECHNICAL SPECIFICATION.

ADD-ONS AND ACCESSORIES

YOUR WAY

CUSTOMISATION OPTIONS	
Cabinet Shape	Tapered / Round / Square
Materials and Finishes	Stainless Steel / Aluminium / Anodised / Brass / Bronze / PPC RAL / Anodic PPC / Vinyl
Base Plates	Yes
Floor Plinths	Yes
Barrier Posts	Yes
Touch M Control Panel	Yes
BoonTouch Control Panel	Yes
TCP/IP Connection	Yes

INTEGRATION OPTIONS	
Card Reader	Yes
QR Reader	Yes
Lift Destination Control	Yes
Facial Recognition	Yes
MorphoWave Reader	Yes
Biometric Authentication	Yes
Thermal Imaging	Yes





With decades of experience and knowledge in tailoring products for our customers, we have designed a series of truly unique speed gates that align with the needs and trends of the market as it stands today.

STAY BREAKDOWN PREPARED

Whether it is a revolving door, speed gate or security door, all of our products require preventative care to ensure they continue to look and perform as intended. With routine services and preventative maintenance, you minimise the risk of unexpected breakdowns and costly repairs while increasing the longevity and efficiency of your entrance.

Our service sales specialists and engineers work together to ensure that your products are fully maintained throughout their life-cycle. With national coverage and dedicated regional experts, you can expect a more efficient yet, premium service - no matter where you are in the world.

We offer a variety of system maintenance contracts, ranging from basic to ultimate care, so you can choose the level of agreement that is right for you.

COMPLIANCE

The goal of an organisation is to safeguard the valuable assets inside – both people and property. As is often the case, industries must comply with relevant local and global laws, policies, and regulations to achieve the important goal of overall safety and security. Failure to meet the appropriate measures and criteria set out in these regulations could result in catastrophic incidents and substantial fines.

Boon Edam security entrances are trusted solutions that allow organisations to meet compliance regulations related to restricting access to areas within a building. We take compliance and safety very seriously and ensure that our products are manufactured, installed, and maintained to keep up with the strict criteria required in all our countries. We are continually improving and committed to ensuring our products are compliant and certified. More information can be found on our website.

The Signature Speedlane series comply with the following European standards:

- Machine Directive (2006/42/EC)
- EMC Directive (2004/108/EC)
- RoHS Directive (2011/65/EU)



CONTACT YOUR LOCAL ENTRY EXPERT.

EXPERT ADVICE FROM US TO YOU. YOUR WAY.

Our Entry Experts will work with you to find the right solution for your project. If you would like more information about the Signature Speedlane series or you would like to know more about the customisation and integration options available to you, please contact us.



info@boonedam.com



boonedam.com/contact



[@Boon Edam](https://www.linkedin.com/company/boonedam)



OUR REACH IS GLOBAL.

We have been in business for 150 years manufacturing premium aesthetic and security entrance solutions in the Netherlands, United States of America and China. We can confidently say that we cover every corner of the globe with subsidiary companies in major cities across the globe. Furthermore our global export division not only partner with our distributors, but also offer direct sales and service to every territory. This wide net allows us to have a strong global footprint as well as a personal grasp of local markets and their unique entry requirements.

To find your closest Boon Edam expert, please go to:

www.boonedam.com/contact



Royal Boon Edam International B.V.

T +31 (0) 299 38 08 08

E info@boonedam.com

I www.boonedam.com

V1-2212


BOON EDAM
YOUR **ENTRY** EXPERTS.