

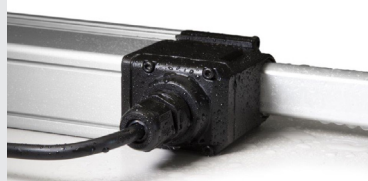
# S80 RWA



Linear stem actuator  
Thrust force 800N  
Adjustable stroke max. 400 mm

## PRODUCT DESCRIPTION

Linear electric actuator Topp model S80 with self-aligning tilting movement, complete with support and fitting accessory for top hung windows or sun blades and louvers. Operation at 24V DC. Max. traction and thrust force 800N. Preset for the synchronous operation of two actuators on the same window. Available strokes: 200 - 400 mm. IP65 protection degree. CE marked device, tested in accordance with the EN12101-2 Standard for smoke ventilation applications.



High degree of protection against dust and water IP65.



Stem highly resistant to heavy loads.



Millimetrically adjustable stroke.

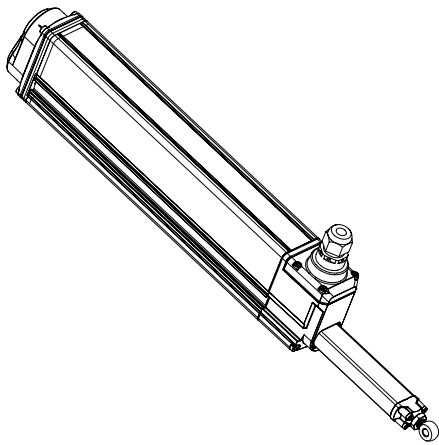


## TECHNICAL SPECIFICATIONS

### S80 RWA

Power Supply voltage *	24V d.c.
Maximum load applicable in thrust	800 N
Maximum applicable load in traction	800 N
Strokes	200 - 400 mm
Absorbed current	1A
Idle translation speed	6,5 mm/s
Duration of the idle stroke	(stroke/idle translation speed)
Double insulated	YES
Service type	S2 of 3 min
Operating temperature	-20°C + 60°C
Protection class	IP 65
Parallel connection	YES
Synchronous operation of more actuators on the same window	YES
Stroke end	mechanical / electronic

\* power supply cable not included



### S80 standard 1 push point

3B20020	S80 linear stem actuator 24V RWA stroke 200mm
3B20022	S80 linear stem actuator 24V RWA stroke 200mm (louvers)
3B20021	S80 linear stem actuator 24V RWA stroke 400mm
3B20023	S80 linear stem actuator 24V RWA stroke 400mm (louvers)

### Description of the standard 1 push point pattern for top-hung windows

3B20021	S80 linear stem actuator 24V RWA stroke 400mm
	Actuator supporting bracket for top hung windows
	Fitting bracket to the frame
	Spare parts for top hung windows

### Description of the standard 1 push point pattern for louvers

3B20022	S80 linear stem actuator 24V RWA stroke 200mm
	Actuator supporting bracket for louvers
	Spare parts for louvers

### Accessories and spare parts

1B2801	Actuator supporting bracket for top hung windows
1B2800	Actuator supporting bracket for louvers
1S1604	Fitting bracket to the frame
3B2001	Spare parts for top hung windows
3B2002	Spare parts for louvers
1B2120	Feeding cable for synchronization (2m)

