

twist AM

For swing gates with a maximum leaf width of 2.5 m and a maximum leaf weight of 250 kg



ACCU READY



<0.5 W STANDBY



SOMloq2



You can find further information at www.twist-am.de.

Flexible:

- 1- and 2-leaf operation possible
- Automatic closing function (fully-/semi-automatic, shortening after drive-through)
- The emergency release can also be triggered under full load (e.g. with pressure) with relatively low force
- For gates with large posts (up to approx. 60 x 60 cm)

Secure:

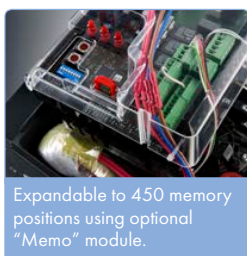
- Bidirectional SOMloq2 radio system (FM 868.95 MHz) for guaranteed convenience and secure encryption
- Certified restriction of closing forces in acc. with EN 12453, EN 12445 by electronic motor monitoring
- Mechanical emergency release, lockable
- Integrated evaluation unit for safety contact strip
- Optional safety devices can be integrated effortlessly (e.g. safety contact strip, photocell, electric gate leaf lock, warning light)
- Connection option for battery pack (in the event of power failure)

Innovative:

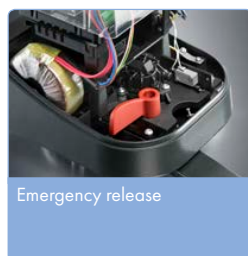
- The control unit and transformer are integrated in the operator (master) – making it both compact and quiet
- Automatic learning process - Quick programming of end positions and operating forces with few reference drives
- Versatile setting options and service information with the SOMlink Service interface

Quality:

- The high-quality DC gear motor with hall sensor ensures low wear and a long service life
- Environmentally friendly and cost-effective (uses <0.5 W in standby mode)
- Weatherproof housing



Expandable to 450 memory positions using optional "Memo" module.



Emergency release

twist AM 1-leaf; set

3734V000

- 1x twist AM master operator with control unit
- Radio receiver FM 868.95 MHz (SOMIq2)
- 4-command handheld transmitter Pearl Vibe (# 4019V000)
- One-way photocell, 2-wire (#7023V000)
- Warning light 24 V (# 5069V001)
- Gate post fitting; galvanised steel
- Gate leaf fitting; U-shaped; galvanised steel



twist AM 2-leaf; set

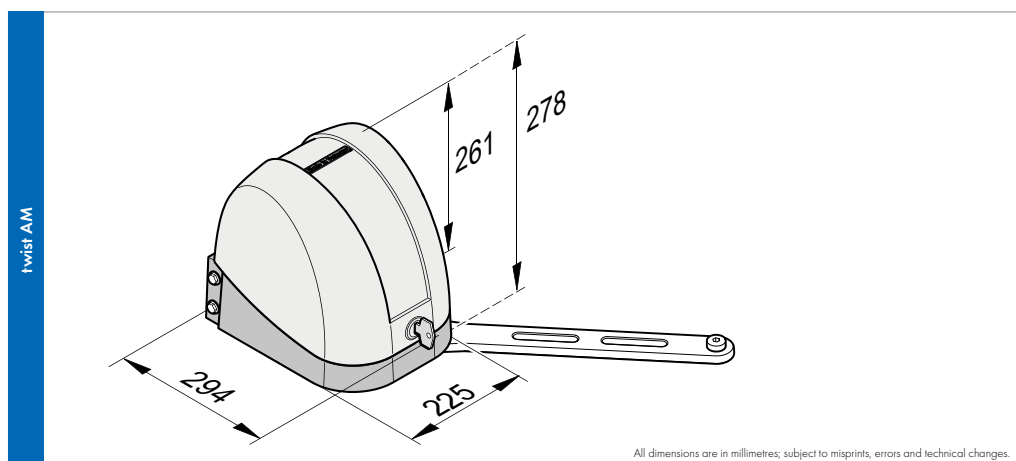
3735V000

- 1x twist AM master operator with control unit and
1x twist AM slave operator
- Radio receiver FM 868.95 MHz (SOMIq2)
- 4-command handheld transmitter Pearl Vibe (# 4019V000)
- One-way photocell, 2-wire (#7023V000)
- Warning light 24 V (# 5069V001)
- 2x gate post fitting; galvanised steel
- 2x gate leaf fitting; U-shaped; galvanised steel
- 12 m connection cable



twist AM

Type	twist AM
Gate weight per leaf	max. 250 kg
Gate width per leaf	max. 2,500 mm
Gate inclination	–
Gate filling	max. 100% closed (depending on the width and height of the gate)
Operator principle	electromechanical swing gate operator
Housing	made of special UV-resistant and non-ageing synthetic material. It is more resistant against brittle fracture than the same housing made of aluminium alloy
Motor	high-quality DC gear motor with hall sensor
Motor safety device	via microprocessor, power-monitored
Motor control unit	control unit and transformer integrated in operator (master)
Power supply	AC 220-240V, 50/60Hz / Motor voltage DC 24V
Angular velocity	approx. 11 °/s
Opening angle	max. 130°
Accident prevention	through electronic motor monitoring
Limit switch	via fixed stop
Emergency release	on the operator; secured with a lock, simple operation
LED-monitored function sequence	status display; STOP, OPEN, CLOSE; safety devices interior/exterior; electric lock; warning light
Soft start / soft stop	controlled soft run in ramp form without power loss
Connection options	for photocells (2- and 4-wire), safety contact strip, warning light, external devices, potential-free relay contact, electric lock, Memo
Automatic closing function	can be set via DIP switch
Dead-man function	yes
Walk-through door function	yes
Pulse mode	OPEN / STOP / CLOSE / STOP / ..., defined OPEN / CLOSE can be set
Close sequence	self-learning
Number of radio channels	4
Mode of operation	S3 15 %
Protection class	IP44
Temperature range	-25 °C to +65 °C



i The following criteria must be fulfilled for mounting on the gate. Post dimensions must be at least 25 × 25 cm. Material of the posts must have sufficient strength for the forces generated. The installation position of the fittings must be within the permitted values of the A/B/C/D-dimensions.

- If the opening angles of the two gate leaves deviate, the A-/B-/C-/D-dimensions must be selected appropriately.
- Safety distances must comply with the standard for the gate type
- The intended installation surface on the post must be vertical and flat. The post fitting must be positioned flat during installation. Uneven areas or slopes must be flattened out before installation.

B angle	A		C		D	
	200	225	275	350	400	480
155°	720	480	695	480	645	480
90°		100°		110°		120°
200°	715	480				130°
90°						
250°	705	480				
90°						
300°	694	480				
90°						
350°	678	480				
90°						
400°	660	480				
90°						
450°	639	480				
90°						

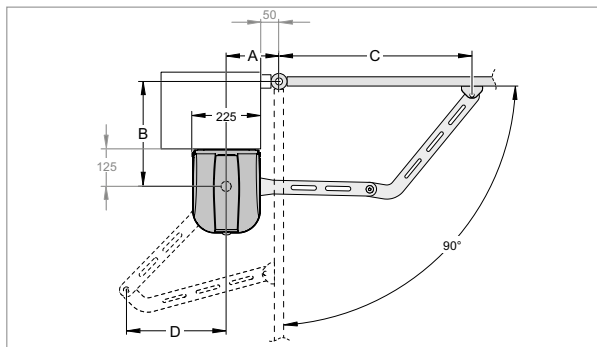


Fig. A-/B-/C-/D-dimensions, opening angle 90°

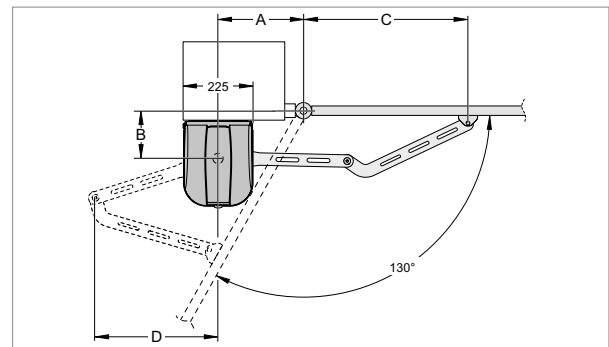


Fig. A-/B-/C-/D-dimensions, opening angle 130°

Height (m)	Infill (%)			
	100	80	40	30
2	100	80	40	30
1.5	100	100	60	40
1	100	100	80	50
Length (m)	1	1.5	2*	2.5*

Relation of door surface to filling level

*Use of an electric lock is recommended.



Accessories for swing gate operators



Memo

10373

- Memory extension, pluggable, Plug & Play
- Expands the memory of the handheld transmitter to 450 handheld transmitter commands
- Automatic transfer of the handheld transmitter commands from the internal memory of the operator to the Memo
- Simple data backup and transfer of handheld transmitter commands to a new operator if service is required
- For SOMMER base⁺, pro⁺, tiga, tiga⁺, twist UG, twist UG⁺ and twist AM



Connecting cable set for twist 200 E/EL

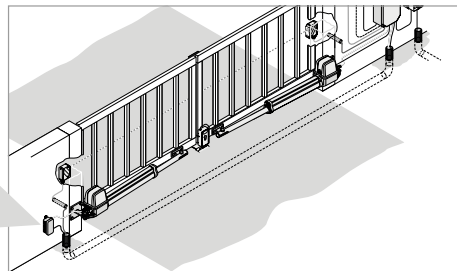
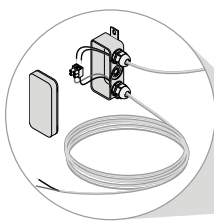
3204V000

- For connection of a second operator to the control unit housing
- Incl. 7 m cable, junction box (IP54) and cable glands

Connecting cable set for twist 350, twist XL, twist UG and twist AM

3271V000

- For connection of a second operator to the control unit housing
- Incl. 12 m cable, junction box (IP54) and cable glands



twist XS conversion set

3248V000

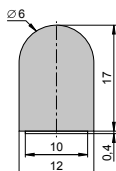
- For the operation of twist 200 E/EL operators at twist XL/XXL control units



Cable gland for twist control unit

S10152-00001

- 2x M16x1.5 WAF22
- 1x M20x1.5 WAF27



Edge protection profile

S10332-00001

- Length: 6 m
- Colour: black
- Self-adhesive on one side