



SLIDING GATE OPERATOR

D-TRACK

Torque management system: maximum safety and proper functioning of the system, regardless of weather conditions and mechanical wear.

FASTNET

Installation easier and safer: it takes only two wires to connect all devices. You can not make mistakes installation thanks to the non-polarized pair.

Rolling CODE

Secure transmission system for the management of commands Bft, that prevents any type of external violation.

24V

Precision, safety (stop-immediate reversal of the direction, in the presence of obstacles detected), reliability, functionality

DEIMOS BT A600

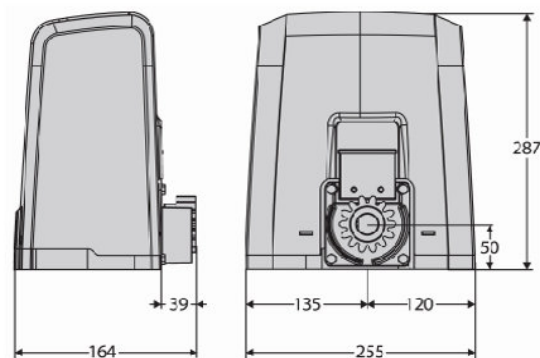


Electromechanical Operator 24V for sliding gates up to 600 kg in weight. Leaf speed 12 m/min.

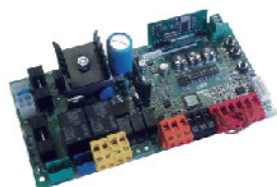
Specification

Control unit	HAMAL SL2
Power supply	24V
Power input	70W
Pinion module	4
Slowdown	yes
Impact reaction	d-track
Locking	mechanical
Release	lever with personal key
Frequency of use	intensive
Environmental	from -20 °C to 50 °C
Actuator weight	8kg
Limit switch	Electromechanical
Protection rating	IP44

Dimensions



HAMAL (Control Unit for DEMOS BT A600 and ARES BT A1000)



- Application: control unit for 1 24V operator for sliding gates
- Board power supply: 230V single-phase
- Operator power supply: 24V 80W
- Main features: removable terminal blocks with new standard colour-coding, dip-switch programming and potentiometers, incorporated dual channel receiver, D-Track anti-crushing system, slowdown during opening and closing
- Main functions: automatic re-closing, pedestrian opening, input for 8k2 edge, fast closing

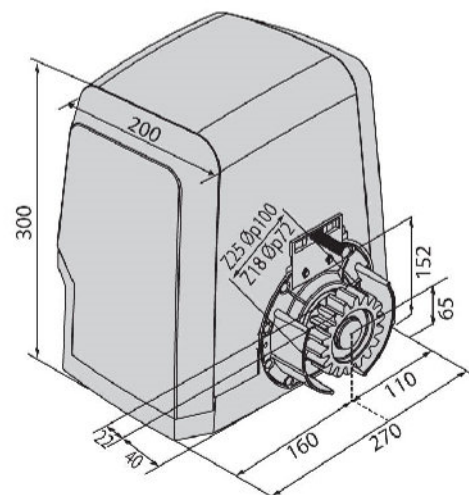
ARES BT A1000/1500

Dimensions



Electromechanical Operator 24V for sliding gates up to 1000 kg / 1500 kg in weight. Leaf speed 9 m/min.

Specification	
Control unit	HAMAL
Power supply	24V
Power input	240W / 400W
Pinion module	4
Slowdown	yes
Impact reaction	d-track
Locking	mechanical
Release	Knob with personal key
Frequency of use	intensive
Environmental	from -20 °C to 50 °C
Actuator weight	7kg
Limit switch	Electromechanical
Protection rating	IP24



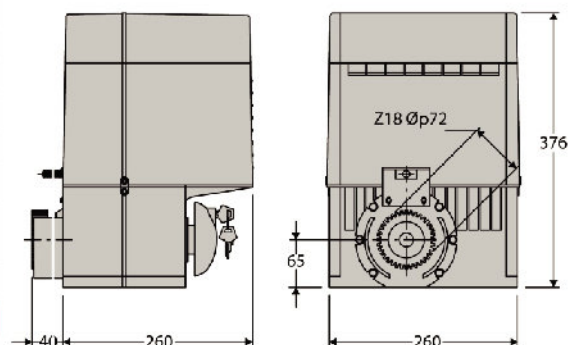
ICARO N F



Electromechanical Operator 230V for sliding gates up to 2000 kg. Leaf speed 9 m/min.

Specification	
Control unit	LEO B CBB
Power supply	230 V
Power input	750W
Pinion module	4
Slowdown	yes
Impact reaction	d-track
Locking	mechanical
Release	Knob with personal key
Frequency of use	Very intensive
Environmental	from -15 °C to 60 °C
Actuator weight	25kg
Limit switch	Electromechanical
Protection rating	IP24

Dimensions



LEO B CBB OPALEO B CBB Built-In (For ICARO N F)

Incorporated control unit for one 230V operator for sliding gates



- Board power supply: 230V single-phase
- Operator power supply: 230V 750W
- Main features: removable terminal blocks with new standard colour-coding, simplified scenario-based programming with display, incorporated dual channel receiver, D-Track anti-crushing system, slowdown during opening and closing
- Main functions: automatic re-closing, fast closing, pedestrian opening
- Compatibility: LEO D MA

Accessories

MITTO

Q.BO TOUCH

BLUE ENTRY

RADIUS

PHOTO CELL



Via Lago di Vico, 44 - 36015 Schio (VI) - Italy
 T +39 0445 69 65 11 - F +39 0445 69 65 22
 P.lva IT 00867710246 - R.E.A. 182013
www.bftworld.com