



## SWING GATE OPERATOR

**Torque management system: maximum safety and proper functioning of the system, regardless of weather conditions and mechanical wear.**



**Secure transmission system for the management of commands Bft, that prevents any type of external violation.**

**Precision, safety (stop-immediate reversal of the direction, in the presence of obstacles detected), reliability, functionality**



**New communication protocol enabling all the systems communicate with each other, exchanging information on position, speed, etc.**

**A new coding system, based on microprocessor technology, that allows the direct cloning of remote controls**



**BE AHEAD**

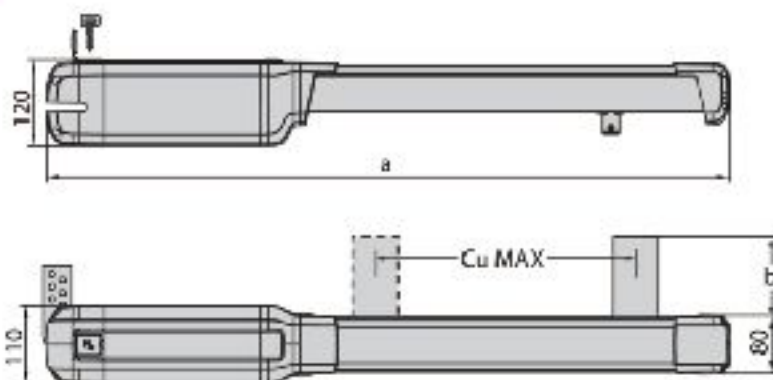


## PHOBOS BT A25

Electromechanical operator 24V for swing gates weighing up to 400 kg and 2.5 m long.

The new PHOBOS BT A25 are designed to allow a quick and easy installation thanks to a numbers of important measures such as the magnetic limit switches and the magnetic locking pin.

PHOBOS BT A25	
Max with of gate wing	2.5 m
Max weight of gate wing	400 kg
Motor voltage	24 V
Power input	50 W
Frequency of use	Intensive
Control unit	ZARA BT L2
Useful rod stroke	290 mm
Maximum angle	116 °
Cycle time	15 sec
Type of limit switch	Magnetic
Slowdown	Yes
Locking	Mechanical
Release	Personal key
Impact reaction	D-Track
Environmental conditions	From -20 °C to 55 °C
Protection rating	IPX4



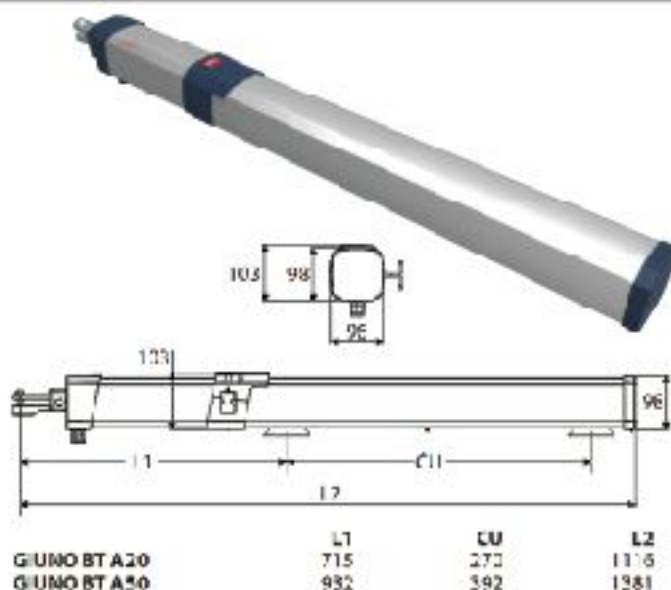
Phobos BT A25 - Phobos AC A25	a	b	Cu MAX
	850	72,5	290

## GIUNO ULTRA BT A20

Hydraulic operator with 24V for hinged wings up to 2 m. 300 kg in weight and use very intensive. Manoeuvre time 14 sec. magnetic Limit switch.

## GIUNO ULTRA BT A50

Hydraulic operator with 24V for hinged wings up to 5m. 800kg in weight and use very intensive. Manoeuvre time 20 sec. magnetic Limit switch.



	GIUNO ULTRA BT A20	GIUNO ULTRA BT A50
Control unit	THALIA P G	
Motor voltage	24V	24V
Power input	300W	300W
Useful rod stroke	270 mm	392 mm
Maximum angle	113 °	130 °
Type of limit switch	Magnetic	Magnetic
Slowdown	Yes	Yes
Locking	Selectable in opening/closing	Selectable in opening/closing
Release	Triangle key	Triangle key
Impact reaction	D-Track	D-Track
Frequency of use	Very intensive	Very intensive
Protection rating	IP55	
Environmental conditions	-20 ÷ 60 °C	





Release with personal key

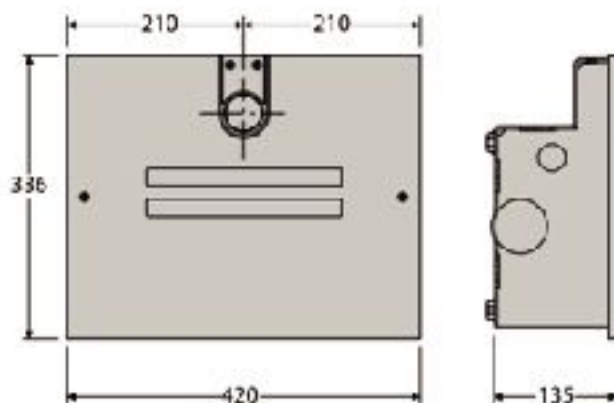
## ELI 250 N

Underground electromechanical operator 230V for swing gates up to 300kg in weight and 3.5m in length

## ELI 250 N BT

Underground electromechanical operator 24V for swing gates up to 400kg in weight and 3.5m in length

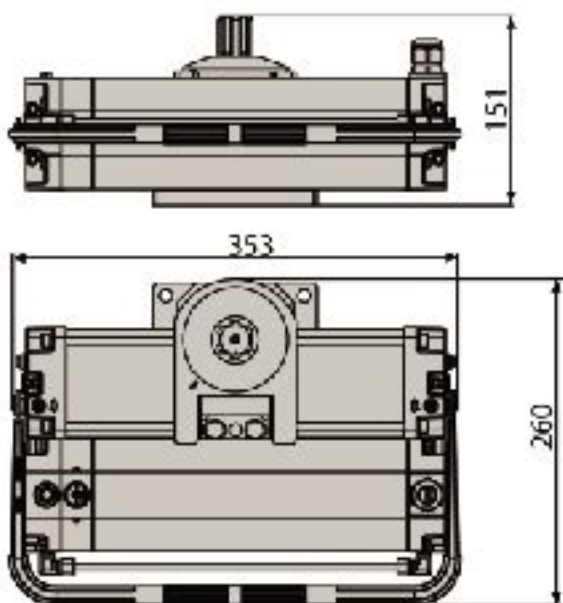
	ELI 250 N	ELI 250 N BT
Control unit	ALTAIR P	THALIA
Motor voltage	230 V	24 V
Power input	300 W	175 W
Maximum angle	120 °	
Cycle time	28 ses	15 ses
Type of limit switch	Work time	Magnetic
Slowdown	no	yes
Locking	Mechanical	
Release	Lever with personal key	
Frequency of use	Semi-intensive	Intensive
Environment	from -20 °C to 50 °C	
Protection rating	IP67	
Impact reaction	Electronic clutch	D-Track



## SUB BT

Compact and sturdy, they can automate swing gate leaves up to 2.5m wide and weighing up to 800kg.

Fitted with mechanical stops and virtual encoder, guaranteeing maximum anti-crushing safety thanks to the electronic slowdown and D-Track system



	SUB BT
Control unit	THALIA P
Motor voltage	24V
Power input	300W
Maximum angle	120°
Cycle time	13sec.
Slowdown	Yes
Impact reaction	D-Track
Locking	Open/close hydraulics
Release	Lever with personalised key
Frequency of use	Very-intensive
Environmental conditions	From -20°C to 60°C
Protection rating	IP67

# CONTROL UNITS



## THALIA

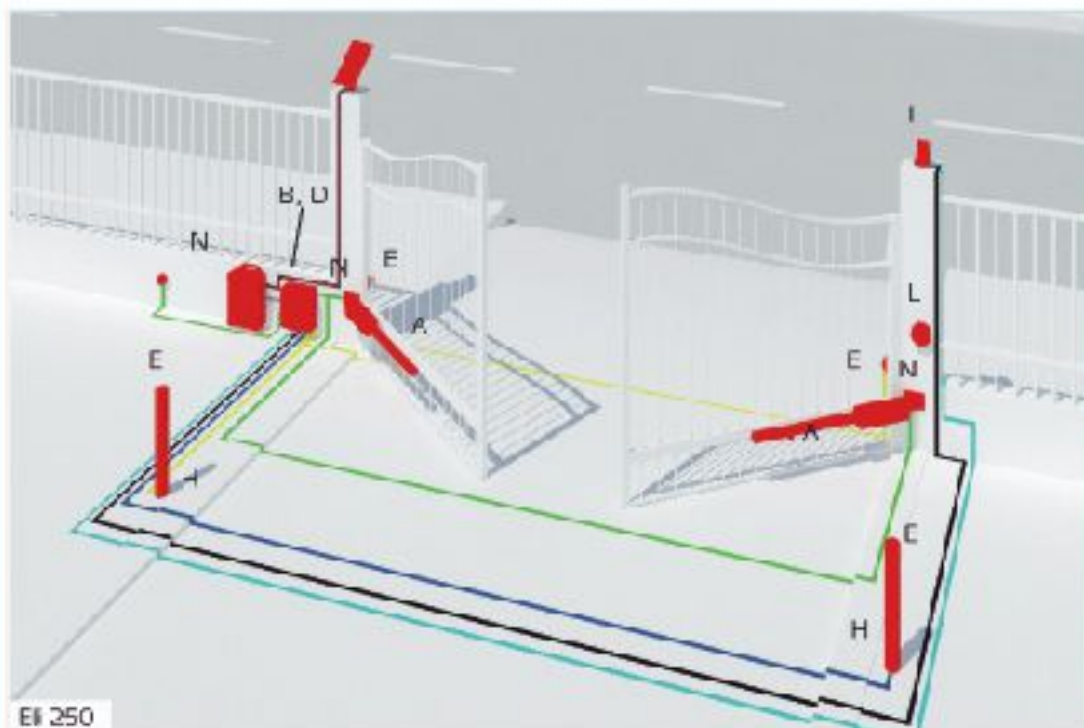
Control panel with display for one or two 24V electro-mechanical operators for swing gates:

- Board power supply: 230V single-phase
- Operators power supply: 24Vdc 180W max each operator
- Main functions: automatic re-closing, fast closing, partial opening, deadman feature
- Main functions: automatic re-closing, fast closing, pedestrian opening
- Compatibility: LIBRA C MA, LIBRA, LIBRA R, LIBRA MA R

## ALTAIR

Control panel with dip switches and potentiometers for one or two 230V/300W operators for swing gates and industrial folding doors

- Application: control panel for one or two operators for swing gates
- Board power supply: 230V single-phase
- Operators power supply: 230V single-phase 300W max each operator
- Main functions: stays locked when closed, 3/4 step logic, partial opening, fast closing and self-diagnostics
- Compatibility: ALTAIR and ARIESCompatibility: LIBRA C MA, LIBRA, LIBRA R,



A	Operator
B	Control unit
C	Backup Batteries
D	Receiver
E	Photocell
H	Push
I	Flashing Beacon
L	Control system (key selector switch, keypad badge reader)
N	Junction box
O	Solar panel
	2x1.5
	3x1.5
	RG 58
	5x1
	2x1
	9x0.5
	4x2.5

# Accessories

MITTO

Q.BO TOUCH

ELECTRIC LOCK

RADIUS

PHOTO CELL



Via Lago di Vico, 44 - 36015 Schio (VI) - Italy  
 T +39 0445 69 65 11 - F +39 0445 69 65 22  
 Plva IT 00867710246 - R.E.A. 182013  
[www.bftworld.com](http://www.bftworld.com)

