

SLIDING GATE OPERATOR

D-TRACK

Torque management system: maximum safety and proper functioning of the system, regardless of weather conditions and mechanical wear.

FASTNET

Installation easier and safer: it takes only two wires to connect all devices. You can not make mistakes installation thanks to the non-polarized pair.

Rolling CODE

Secure transmission system for the management of commands Bft, that prevents any type of external violation.

24V

Precision, safety (stop-immediate reversal of the direction, in the presence of obstacles detected), reliability, functionality

DEIMOS ULTRA BT A600

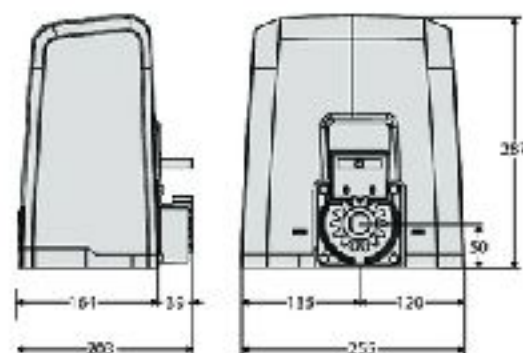


Electromechanical Operator 24V for sliding gates up to 600 kg in weight. Leaf speed 12 m/min.

Specification

Control unit	MERAK SL2
Motor Voltage	24V
Power Input	70W
Pinion module	4
Slowdown	Yes
Impact reaction	D-Track
Locking	Mechanical
Release	Lever operated with personal key
Frequency of use	Intensive
Environmental	From -20 °C to 55 °C
Limit switch	Magretic
Protection rating	IP44

Dimensions



MERAK SL2 (Control Unit for DEMOS BT A600 and ARES BT A1000)



- Incorporated control unit for one 24V operator for sliding gates
- Board power supply: 230V single-phase
- Operator power supply: 24V 80W
- Main functions: automatic closing, quick closing, pedestrian passage, people -present operation, maintenance warnings.
- Compatibility: HQSC-D, QSC-D MA
- Principal features: removable terminal boards with new colour standard, simplified scenario programming with display, integrated dual channel receiver, protection against crushing based on D-Track system, slowdown during opening an closing

ARES ULTRA BT A1000/1500

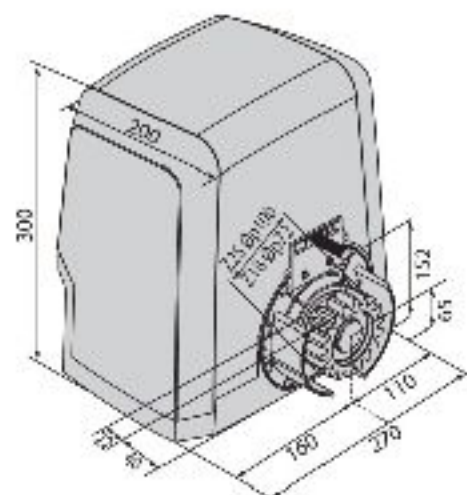
Dimensions



Electromechanical Operator 24V for sliding gates up to 1000 kg / 1500 kg in weight. Leaf speed 9 m/min.

Specification

Control unit	MERAK
Motor Voltage	24V
Power input	240W / 400W
Pinion module	4
Slowdown	Yes
Impact reaction	D-Track
Locking	Mechanical
Release	Lever operated with personal key
Frequency of use	Intensive
Environmental	From -20 °C to 55 °C
Limit switch	Magnetic
Protection rating	IP44



ICARO ULTRA AC A2000

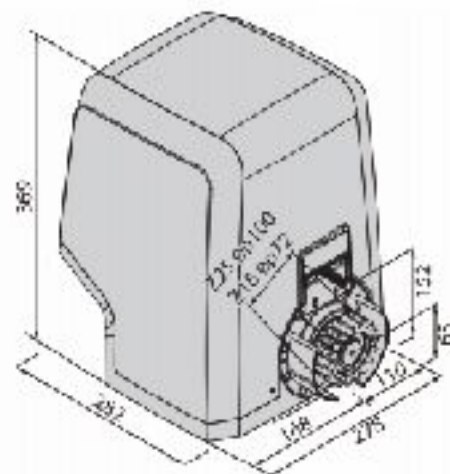
Dimensions



Electromechanical Operator 230V for sliding gates up to 2000 kg. Leaf speed 9 m/min. Gear unit in oil bath

Specification

Control unit	LEO B CBB L 02
Motor voltage	230 V
Power input	750W
Pinion module	4
Slowdown	Yes
Impact reaction	D-Track
Locking	Mechanical
Release	Lever operated with personal key
Frequency of use	Very intensive
Environmental	From -15 °C to 55 °C
Limit switch	Magnetic
Protection rating	IP55



LEO B CBB L 02

Incorporated control unit for one 230V operator for sliding gates



- Incorporated control unit for one 230V operator for sliding gates
- Application: built-in control unit for one 230V operator for sliding gates
- Board power supply: 230V single-phase
- Operator power supply: 230V 750W
- Main features: removable terminal blocks with new standard colour-coding, simplified scenario-based programming with display, incorporated dual channel receiver, D-Track anti-crushing system, slowdown during opening and closing
- Main functions: automatic re-closing, fast closing, pedestrian opening

Accessories

MITTO

Q.BO TOUCH

BLUE ENTRY

RADIUS

PHOTO CELL



Via Lago di Vico, 44 - 36015 Schio (VI) - Italy
 T +39 0445 69 65 11 - F +39 0445 69 65 22
 P.lva IT 00867710246 - R.E.A. 182013
www.bftworld.com